

STAR LIGHT

design | Alessandro Lenarda



Ceiling
S009

Dimensions
Ø60 H max 175 cm

Diffuser
striped clear
borosilicate glass/
rigato trasparente vetro
borosilicato

Structure
platinum finish/
finitura platino



Suspension lamp composed by a borosilicate glass tube with a sandblasted PMMA tube inside. Structure in aluminium. Finish in gold or platinum. The white canopy of 3L & 9L versions has a LED light source in its centre. Double ignition.

Sospensione in vetro borosilicato rigato con tubo PMMA sabbato al suo interno. Montatura in alluminio con finitura platino o oro. Nelle sospensioni a 3 luci e 9 luci è inserita al centro una luce a LED. Doppia accensione. Rosone a soffitto bianco.

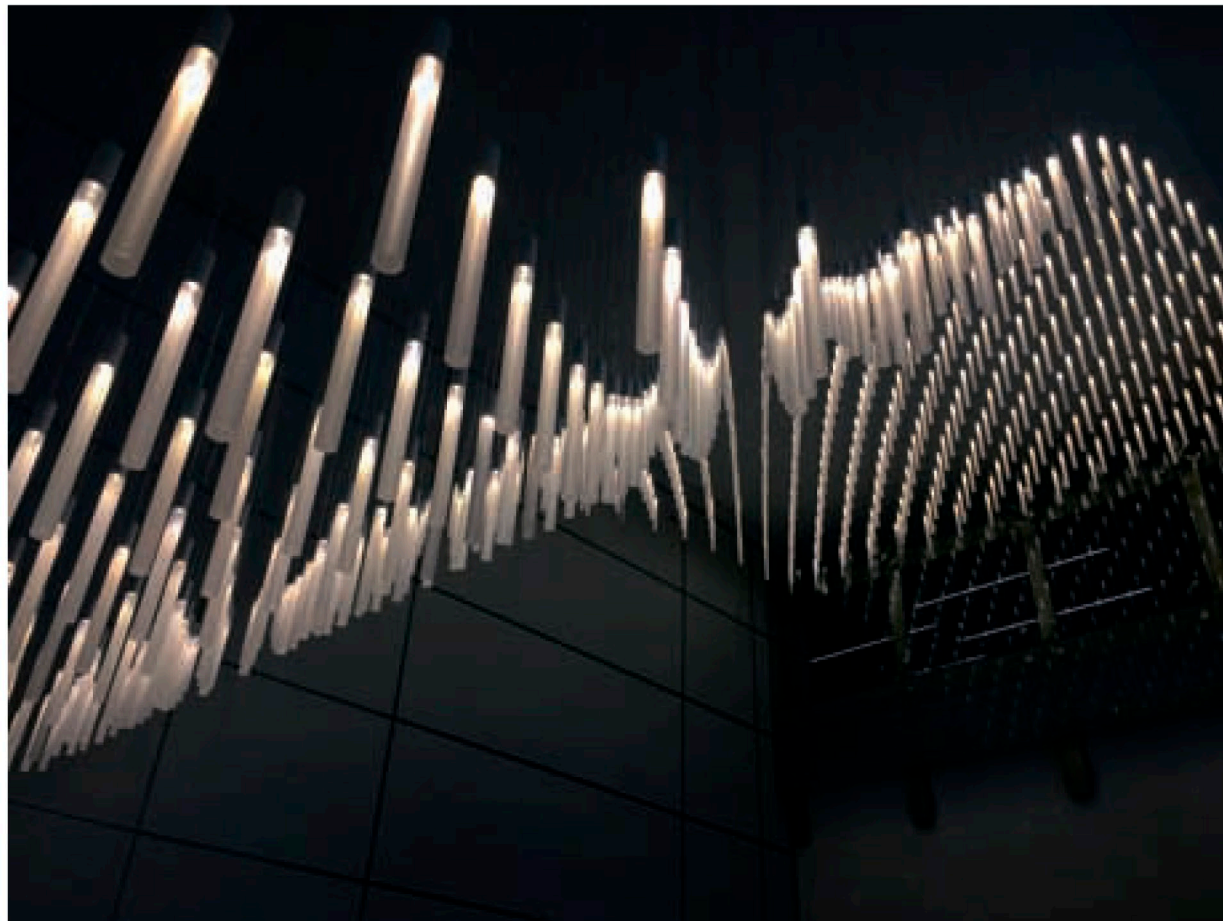
Suspension
S001

Dimensions
Ø3 H 55 cm

Diffuser
striped clear
borosilicate glass/
rigato trasparente vetro
borosilicato

Structure
gold finish/
finitura oro

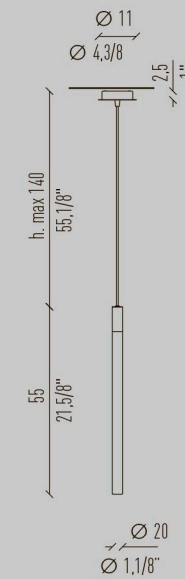




Hamad Hospital – Doha
custom composition

STAR LIGHT

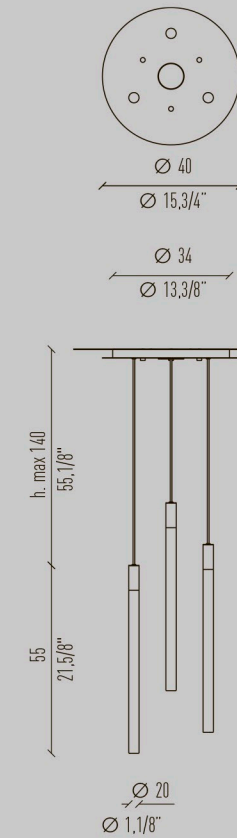
collection



SUSPENSION 1



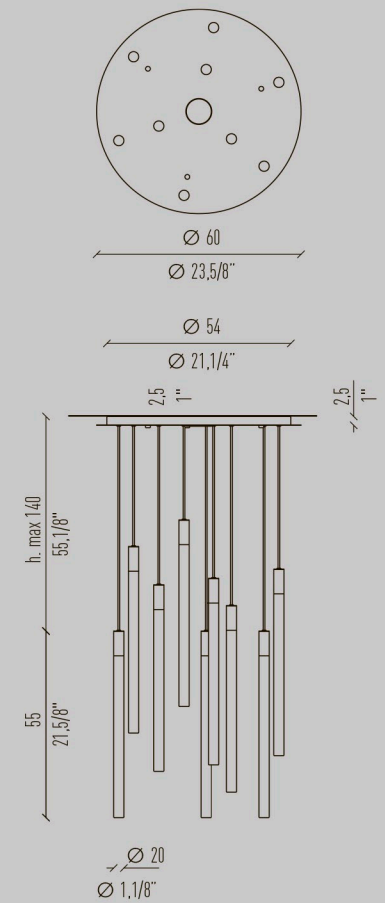
Lamp / 1X LED 350mA 3.15W 3000K 410lm



SUSPENSION 3



Lamp / 3X LED 350mA 3.15W 3000K 410lm
1X GX53 LED 9,5W 230V 3000K 760lm



SUSPENSION 9



Lamp / 9X LED 350mA 3.15W 3000K 410lm
1X GX53 LED 9,5W 230V 3000K 760lm

STRUCTURE / MONTATURA

-  platinum / platino
-  gold / oro

GLASS / VETRO

-  clear borosilicate glass / vetro borosilicato trasparente

MATERIAL

metal and glass
metallo e vetro